



ZEISS SPECTRUM family

Unmatched Performance and Flexibility in its class.



Seeing beyond



Table of contents

ZEISS SPECTRUM

Key Characteristics

1 Unmatched scanning technology

The combination of ZEISS VAST XXT and ZEISS RDS-CR5-CAA increases the reliability and reduces operation time of measurements enormously. It also enables a wide range of measurement tasks.

2 Optical scanning options

Upgrading to the next level in identifying parts by scanning complex geometry and surface with the new laser scanner ZEISS LineScan One, all measurements integrate into one CMM.

3 Tailored for your application

Flexibility via different sensor options

ZEISS direct VAST XXT

ZEISS RDS-CR5-CAA VAST XXT TL1

ZEISS RDS-CR5-CAA VAST XXT TL3

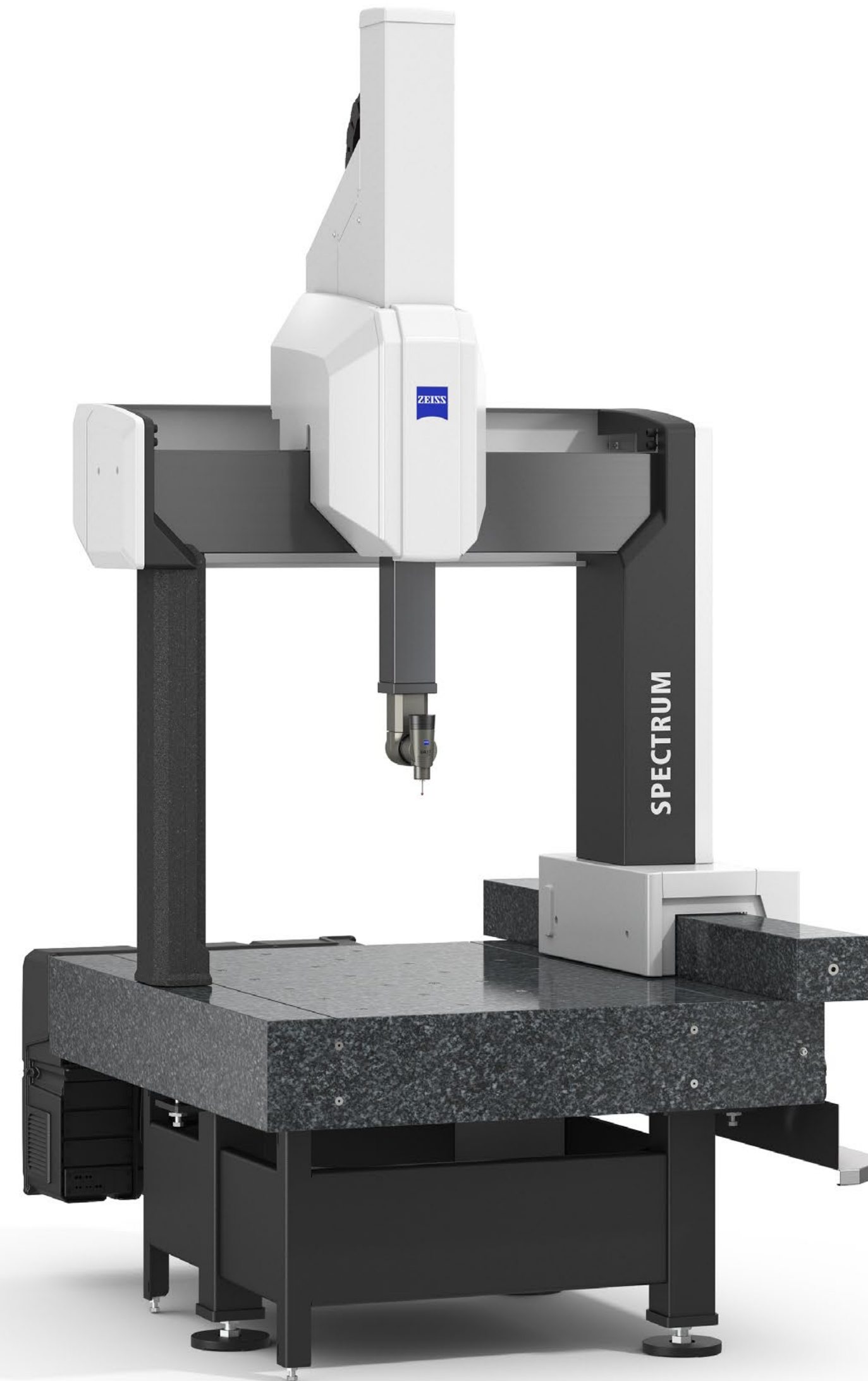
ZEISS RDS-CR5-CAA VAST XXT TL3 Compact design

Covered by four sizes

4 ZEISS SoftTouch Mode

Optional for VAST XXT TL1

Boost the performance of your CMM even further and unlock the full potential. ZEISS SoftTouch Mode enables you to measure deflecting parts with best results and even faster.



ZEISS SPECTRUM

Key Characteristics

5 Excellent workpiece accessibility

ZEISS VAST XXT TL3 compact design sensor increases the available machine measuring volume.

6 Get a great value

Highest quality from leading technology with a MPEEO of 1.8+L/250 μm for 7/7/6

7 Cost effectiveness

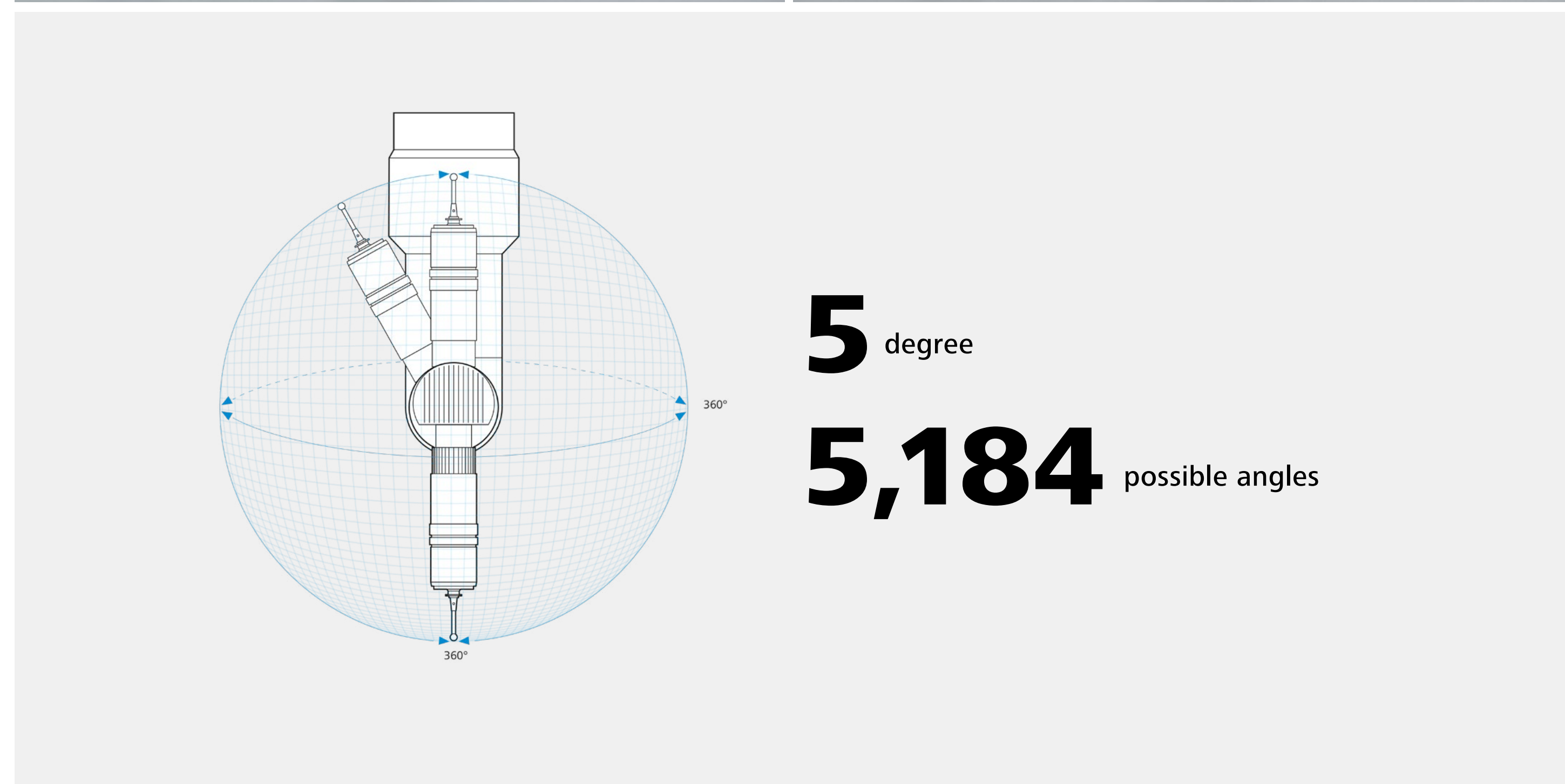
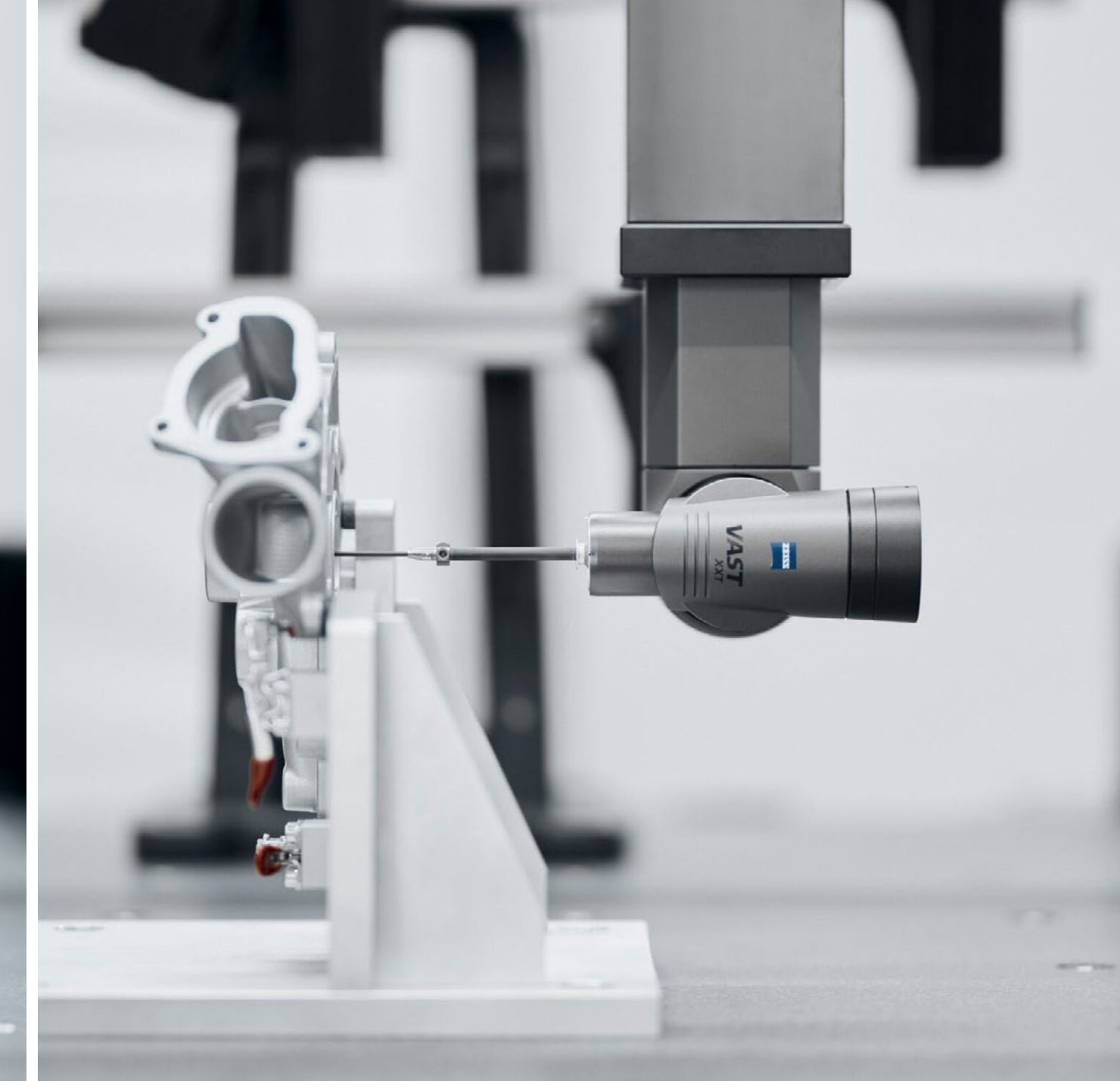
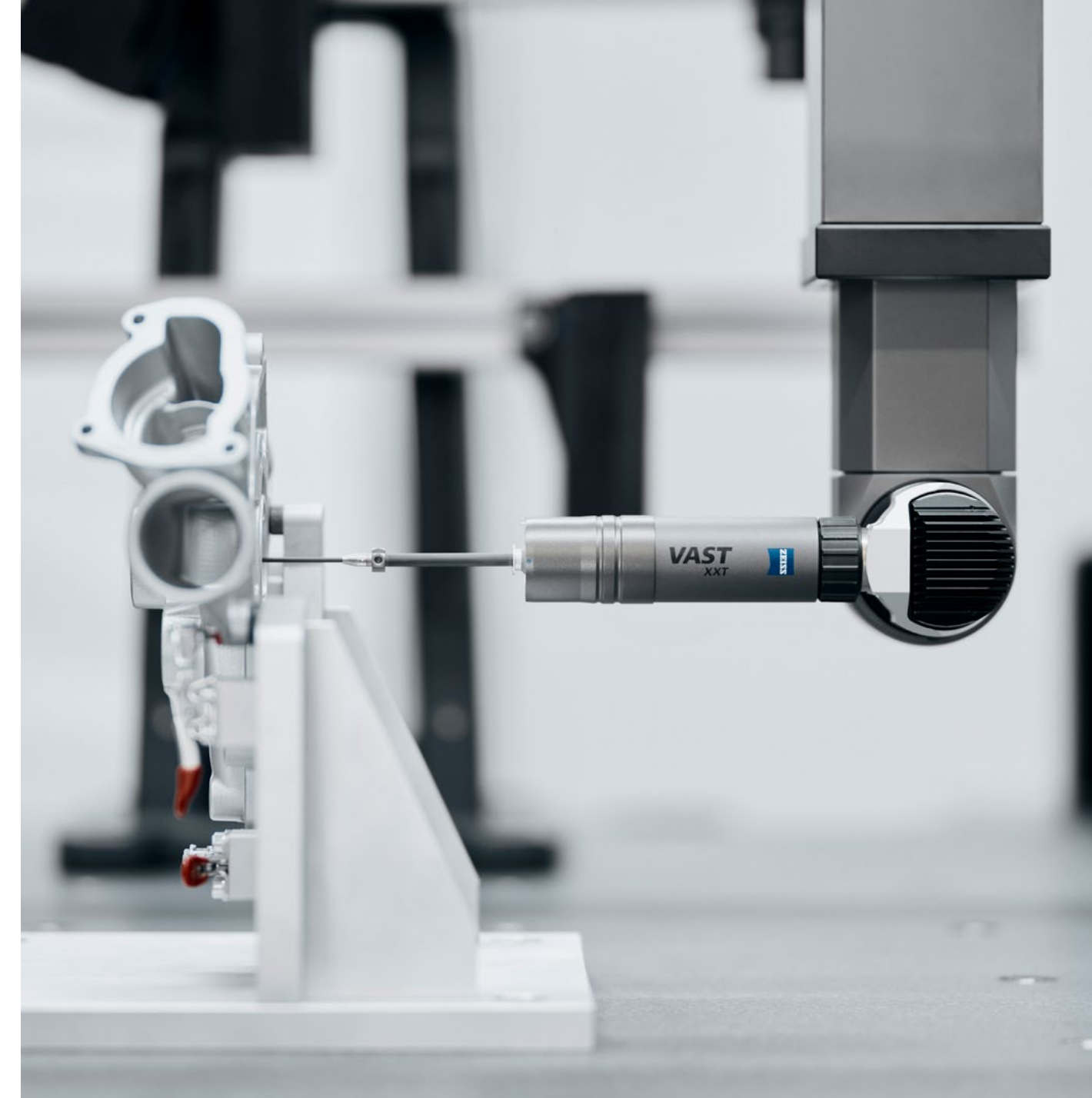
Get the fastest qualification time in class ZEISS RDS-CR5 including CAA allows a qualified system of all 5,184 possible angles in approx. 12 minutes.

8 Reliability

Floating mounted glass ceramic scales for eliminating the temperature scale deflection, meaning temperature sensors are not required.

9 Small footprint

Backpack controller, as well as passive damping system and earthquake protection.



ZEISS SPECTRUM verity

Key Characteristics

ZEISS SPECTRUM verity opens the world of active scanning. The coordinate measuring machine offers more reliability, stability, capability and flexibility.

1 ZEISS VAST XT gold: Entering the world of active scanning

ZEISS VAST XT gold provides the foundation for entry into the world of active scanning technology. Especially together with long or heavy probes, it enables the customer to enter the next level of certainty and productivity.

2 Tailored for your application

Flexibility via different sensor options

ZEISS direct VAST XXT

ZEISS RDS-CR1-CAA VAST XXT TL1

ZEISS RDS-CR1-CAA VAST XXT TL3

ZEISS RDS-CR1-CAA VAST XXT TL3 Compact design

Soft Touch Mode Optional for VAST XXT TL1

VAST XT gold

Covered by four sizes



ZEISS SPECTRUM verity

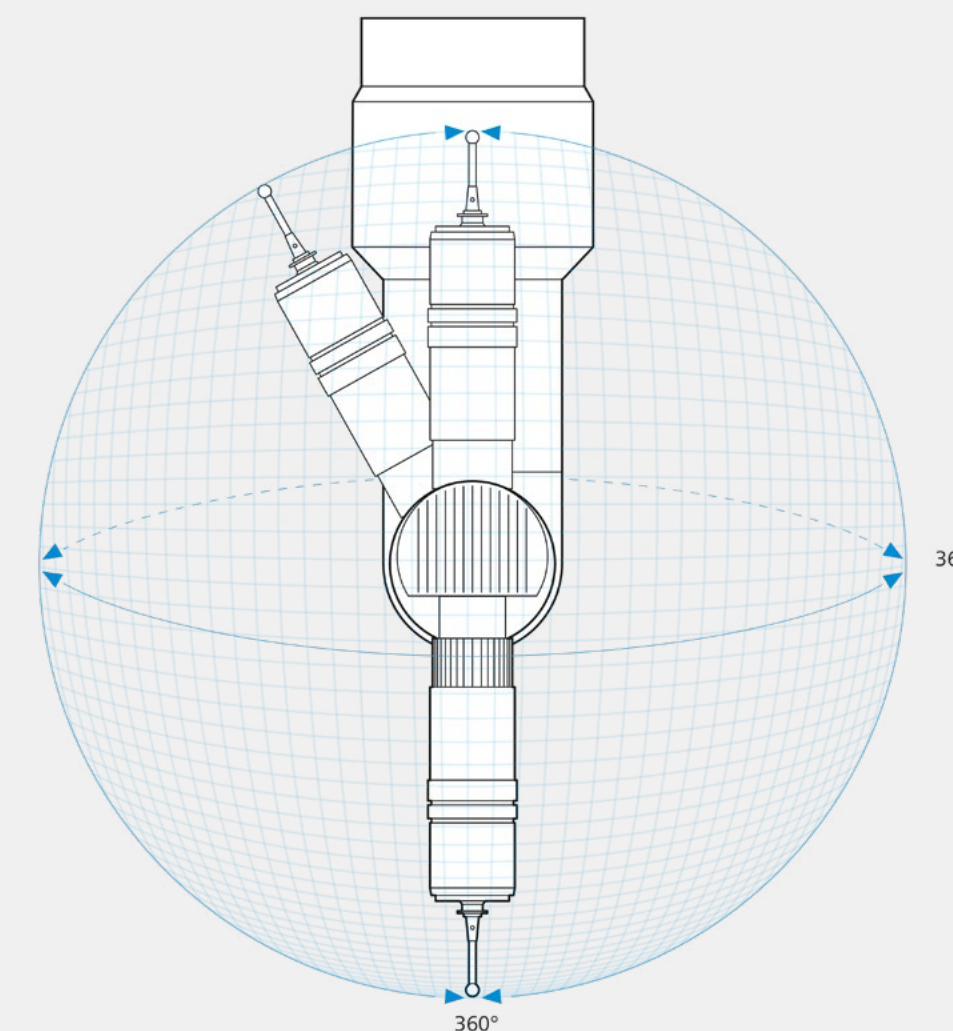
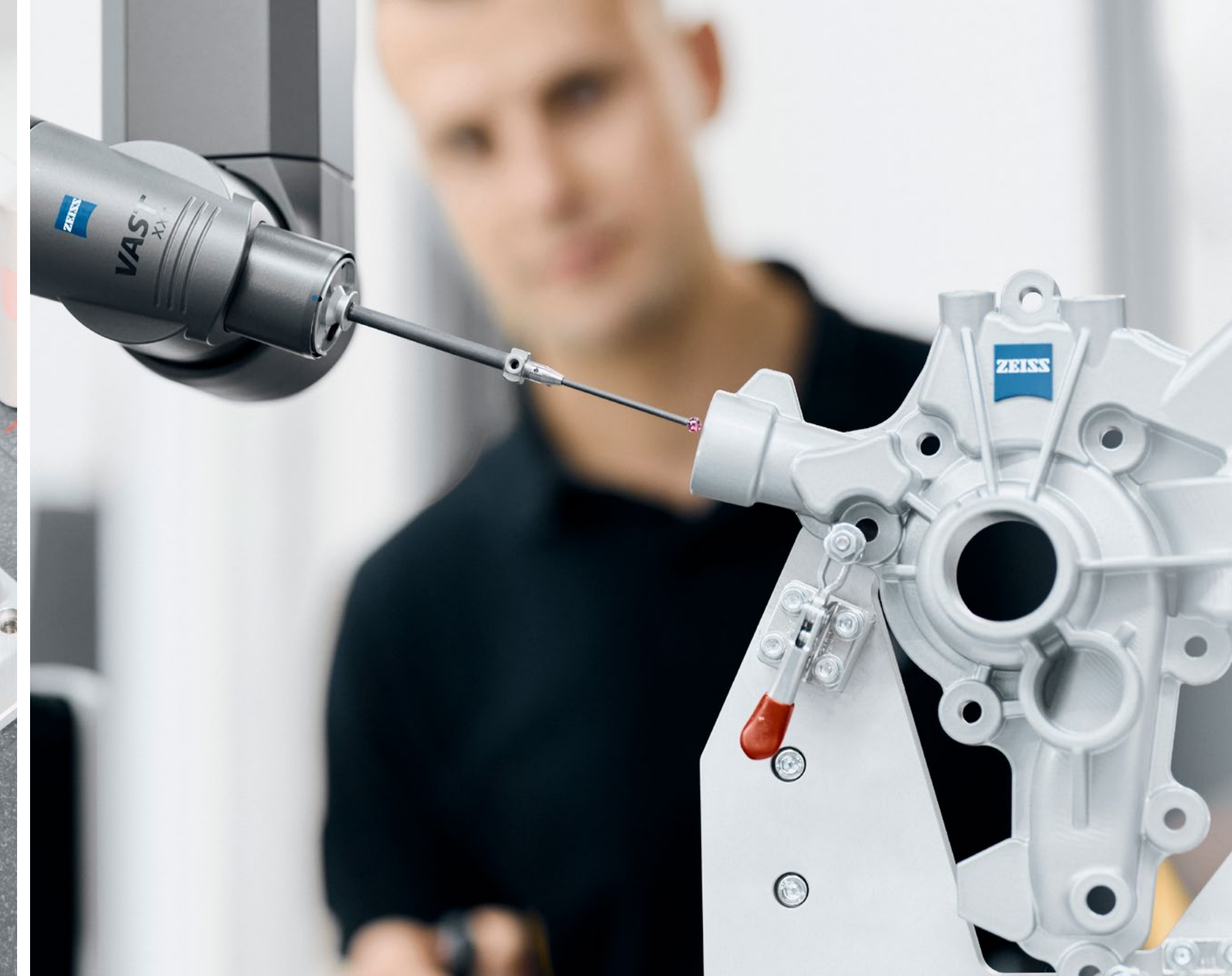
Key Characteristics

3 Get the best value in this class

Highest quality from leading technology with a MPEEO of 1.7+L/300 μm for 7/7/6

4 Get faster

More possibilities - fastest qualification ZEISS RDS-CR1 including CAA allows a qualified system of all 20,736 possible angles in approx. 12 minutes.



2.5 degree

20,736 possible angles

ZEISS SPECTRUM plus is also available with ZEISS RDS C CAA including VAST XXT.

ZEISS SPECTRUM

Sensors and Sizes



For higher data quality

ZEISS SPECTRUM with ZEISS direct VAST XXT

Scanning Technology

Sizes

7/7/6

7/10/6

9/12/6

9/18/6



For complex parts

ZEISS SPECTRUM with ZEISS-RDS-C5 CAA including ZEISS VAST XXT

Scanning Technology with articulating probe and CAA (Computer Aided Accuracy) for faster operating time

Sizes

7/7/6

7/10/6

9/12/6

9/18/6



For parts with complex geometry & surface

ZEISS SPECTRUM with LineScan One

Optical Measurement of free-form surfaces

Sizes

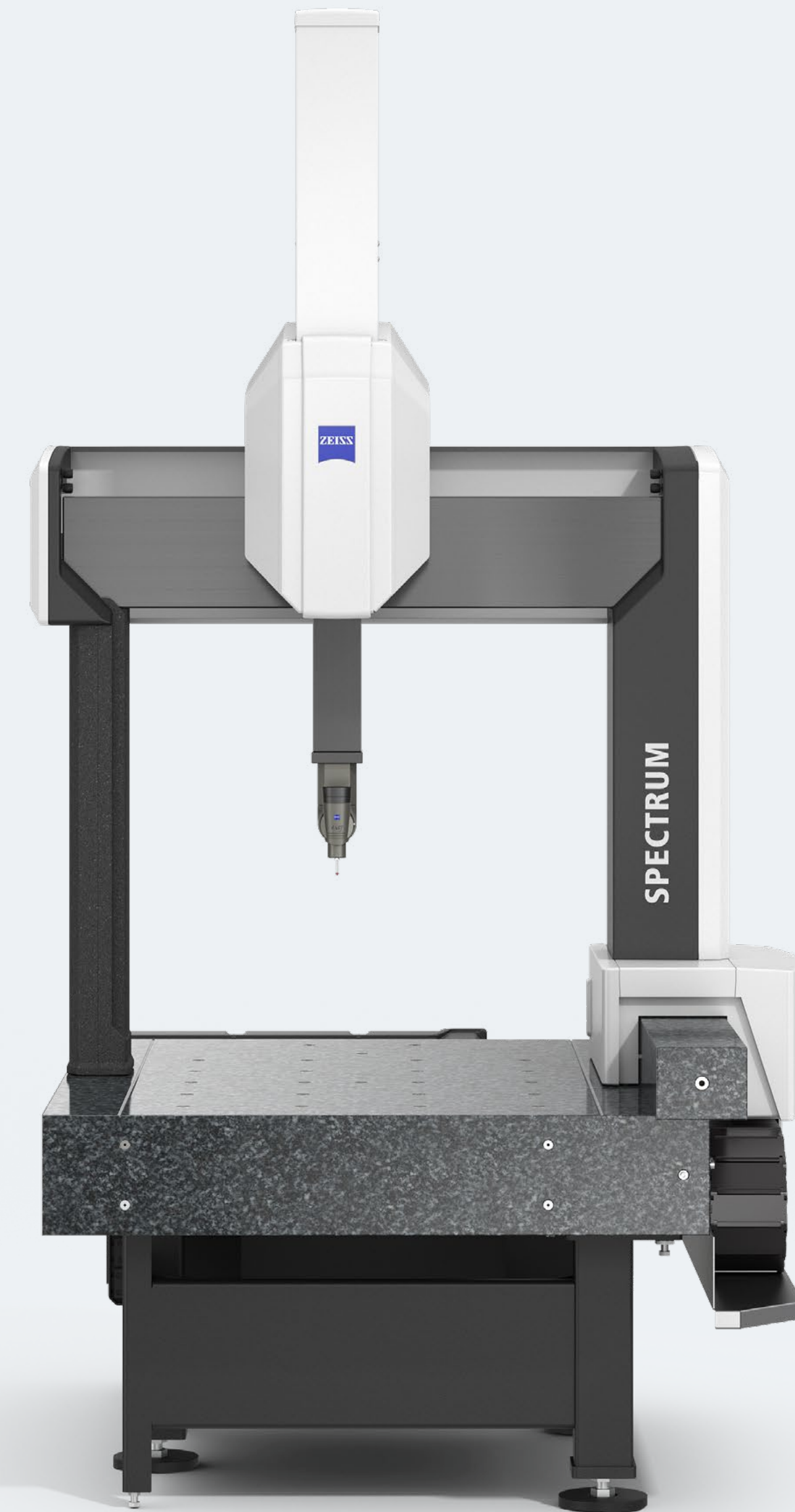
7/7/6

7/10/6

9/12/6

9/18/6

For parts with complex geometry & surface



ZEISS SPECTRUM verity

Sensors and Sizes



For even more angular positions

ZEISS SPECTRUM verity with ZEISS RDS-C1-CAA including ZEISS VAST XXT

Scanning Technology with articulating probe and CAA (Computer Aided Accuracy) for faster operating time

Sizes

7/7/6

7/10/6

9/12/6

9/18/6



For active scanning

ZEISS SPECTRUM verity with ZEISS VAST XT gold

Active scanning & single point measurement

Sizes

7/7/6

7/10/6

9/12/6

9/18/6



For parts with complex geometry & surface

ZEISS SPECTRUM with LineScan One

Optical Measurement of free-form surfaces

Sizes

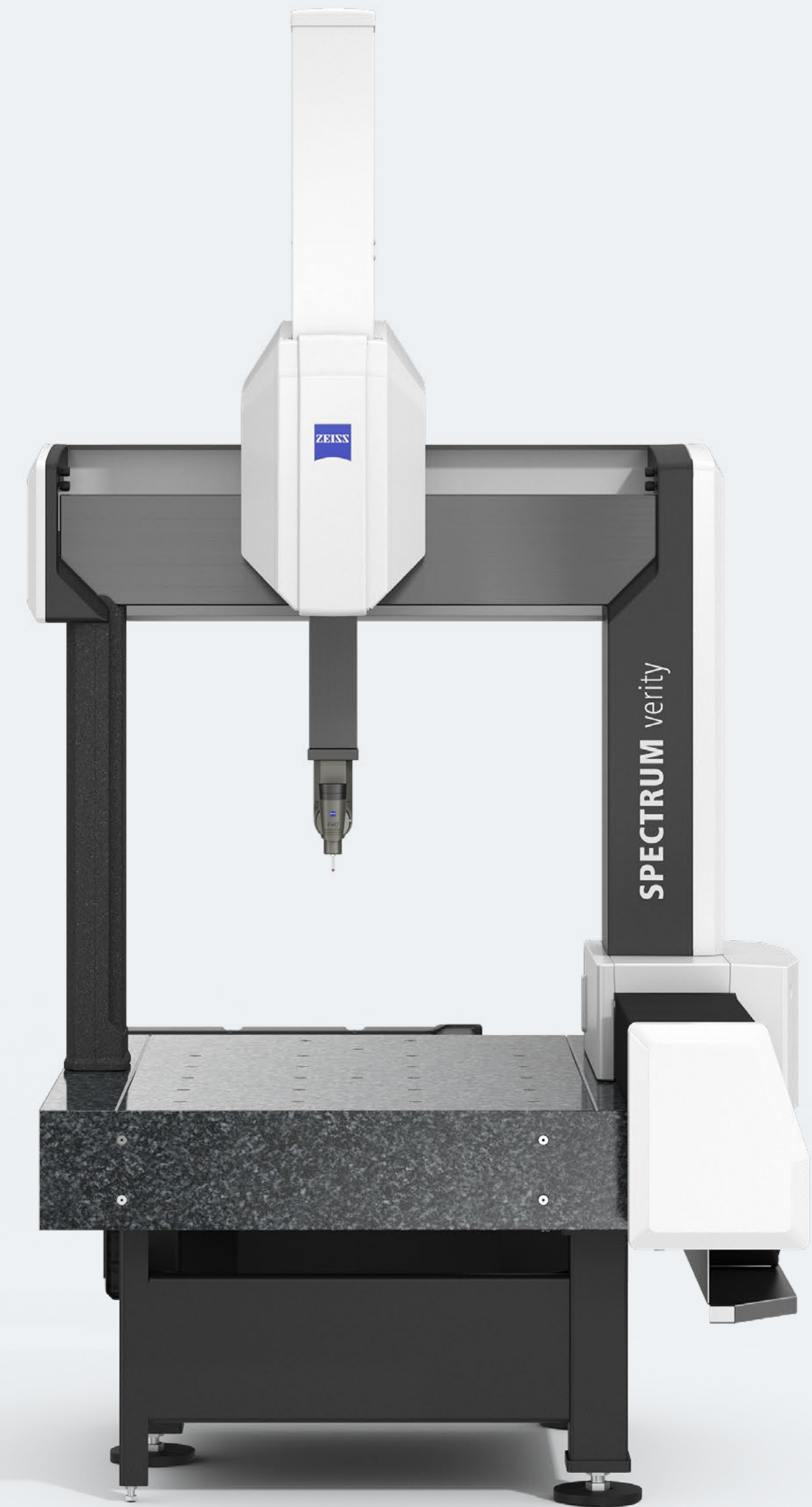
7/7/6

7/10/6

9/12/6

9/18/6

For parts with complex geometry & surface



ZEISS SPECTRUM sensor package

Tailored to your applications



ZEISS SPECTRUM and ZEISS SPECTRUM verity

4 sizes available for

- 7/7/6, 7/10/6
- 9/12/6, 9/18/6



VAST XT gold
only for SPECTRUM verity

Direct Version



VAST XXT TL3 direct

SPECTRUM family

RDS Version



RDS-CR5-CAA: ZEISS SPECTRUM
RDS-CR1-CAA: ZEISS SPECTRUM verity



VAST XXT TL3
Compact design
Better accessibility



VAST XXT TL1



VAST XXT TL3



LineScan One

Tactile active scanning

Tactile passive scanning

Optical scanning

ZEISS Industrial Quality Solutions

ZEISS Industrial Quality Solutions is a leading manufacturer of multidimensional metrology solutions. These include coordinate measuring machines, optical and multi-sensor systems, microscopy systems for industrial quality assurance as well as metrology software for the automotive, aircraft, mechanical engineering, plastics and medical technology industries.

Innovative technologies such as 3D X-ray metrology for quality assurance complete the portfolio.

In addition, ZEISS Industrial Quality Solutions offers a broad global spectrum of customer services with ZEISS Quality Excellence Centers close to its customers.



Your holistic technology partner

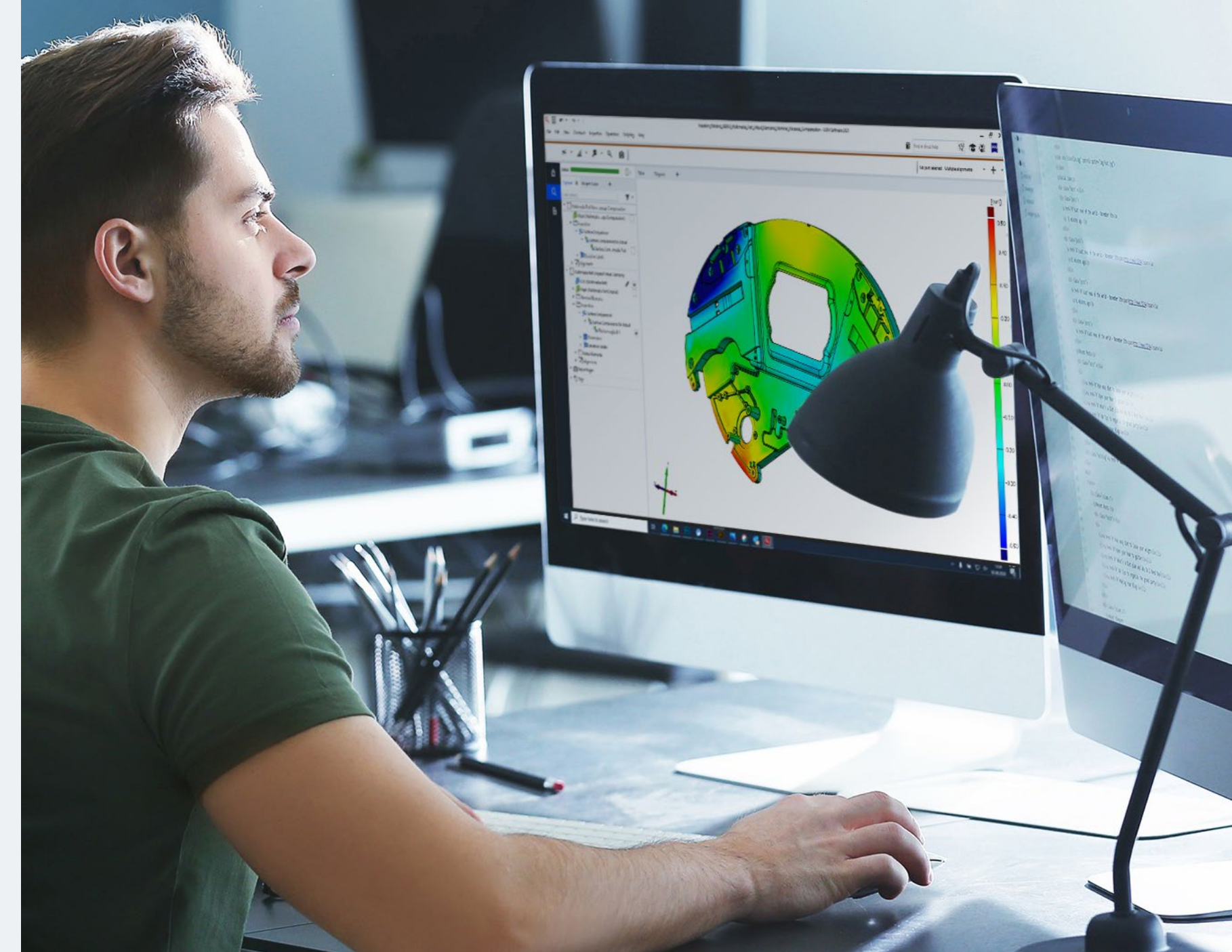
Numerous services and training courses support you in your daily work with 3D measuring technology. Training courses and webinars help you to extend your knowledge about using the software and get to know more application fields for the measuring systems.

The ZEISS Quality Suite supports you with instructions, tutorials and frequently asked questions and answers. Moreover, the user forum offers a platform for mutual exchange and support.

At conferences and application-based workshops, webinars and digital demos, ZEISS directly shares process and measurement technology know-how. In addition, contractual support and services for all measuring solutions are available.

Training

ZEISS training centers offer training and eLearning courses for all levels of expertise. The training courses follow an internationally standardized concept and are implemented by our certified partners in the corresponding national language. In addition to online training courses and scheduled courses in our training centers, customer-specific on-site training courses are also available on request.



Support und Service

ZEISS provides support and services to assist you quickly and reliably if required. These are based on the following three pillars: Remote Assistance, Services and ZEISS Metrology Care.



Did ZEISS SPECTRUM family get your attention?

Contact us for a free demonstration –
on site or online.

Carl Zeiss IQS Deutschland GmbH

Carl-Zeiss-Straße 22
73447 Oberkochen
Germany

Phone: +49 7364 20-6337
info.metrology.de@zeiss.com
www.zeiss.com/metrology